

# IR Quattro HD 24m

COM1 - concealed white  
 EAN 4007841 002794  
 Article number 002794



infrared sensor



max. 8m x 8m presence

HD

4800 zones

2000 W

max. 2000 W



ideal 2,5 - 10 m



indoor sensor

iQ

iQ-mode



energy saving

5 years

manufacturer's warranty steinel-professional.de/garantie



CE

## Function description

Detection no finer! Infrared presence detector Presence Control PRO IR Quattro HD COM1 for indoors, ideal for medium to large-size offices, conference and meeting rooms, classrooms and lecture theatres, sports halls and warehouses, installation height up to 10 m, for switching light 'ON' and 'OFF', 4800 switching zones for the ultimate in detection quality, presence detection over a true 64 m<sup>2</sup>, square detection zone, mechanically scalable.

## Technical specifications

Dimensions (L x W x H)	70 x 120 x 120 mm
Manufacturer's Warranty	5 years
Settings via	Remote control, DIP switches, Potentiometers, Smart Remote
With remote control	No
Version	COM1 - concealed white
PU1, EAN	4007841002794
Type	Presence detector
Application, place	Indoors
Application, room	classroom, lecture hall, open-plan office, high-bay warehouse, production facilities, conference room / meeting room, duty room, recreation room, changing room, sports hall, reception / lobby, multi-storey / underground car park
Colour	white
Colour, RAL	9010
Includes corner wall mount	No

Technology, sensors	passive infrared, Light sensor
Mounting height	2,50 – 10,00 m
Mounting height max.	10,00 m
Optimum mounting height	2,8 m
Detection angle	360 °
Angle of aperture	160 °
Sneak-by guard	Yes
Capability of masking out individual segments	No
Electronic scalability	No
Mechanical scalability	Yes
Reach, radial	8 x 8 m (64 m <sup>2</sup> )
Reach, tangential	20 x 20 m (400 m <sup>2</sup> )
Reach, presence	8 x 8 m (64 m <sup>2</sup> )
Switching zones	4800 switching zones
Functions	Normal / test mode, Semi-/fully automatic, Pushbutton / switch

# IR Quattro HD 24m

COM1 - concealed white  
 EAN 4007841 002794  
 Article number 002794



## Technical specifications

Installation site	ceiling		mode, Manual ON / ON-OFF, Constant-lighting control ON-OFF
Installation	Concealed wiring, Ceiling		
IP-rating	IP20	Twilight setting	10 – 1000 lx
Ambient temperature	from -25 up to 55 °C	Time setting	30 s – 30 Min.
Material	Plastic	Basic light level function	No
Mains power supply	230 V / 50 – 60 Hz	Main light adjustable	No
Fluorescent lamps, electronic ballast	1500 W	Twilight setting TEACH	Yes
Fluorescent lamps, uncorrected	1000 VA	Constant-lighting control	No
Fluorescent lamps, series-corrected	1000 VA	Interconnection	Yes
Fluorescent lamps, parallel-corrected	1000 VA	Type of interconnection	Master/master, Master/slave
Switching output 1, low-voltage halogen lamps	2000 VA	Interconnection via	Cable
LED lamps < 2 W	100 W	Interconnection, number	max. 10 sensors
LED lamps > 2 W < 8 W	300 W	Product category	Presence detector
LED lamps > 8 W	600 W		
Capacitive load in µF	176 µF		

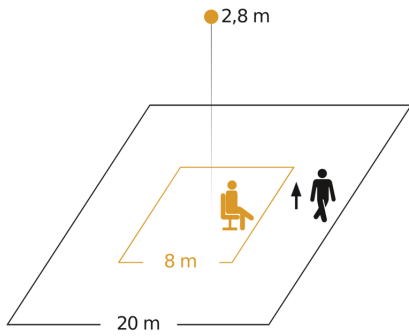
## Accessories

EAN 4007841 000363	Surface-mounted adapter Control Pro IP54
EAN 4007841 003036	Control PRO guard cage
EAN 4007841 009151	Remote control Smart Remote
EAN 4007841 559410	Service remote control RC8

# IR Quattro HD 24m

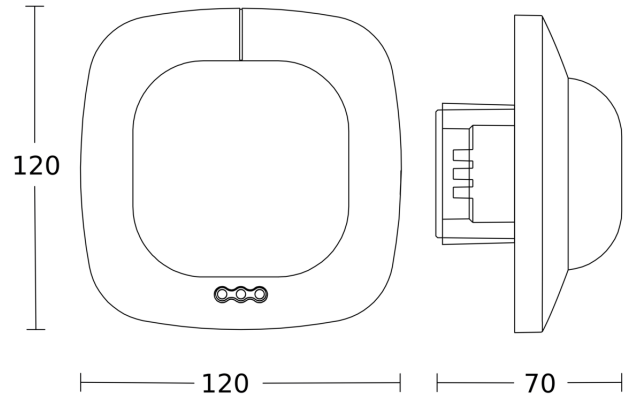
COM1 - concealed white  
EAN 4007841 002794  
Article number 002794

## Detection Zone

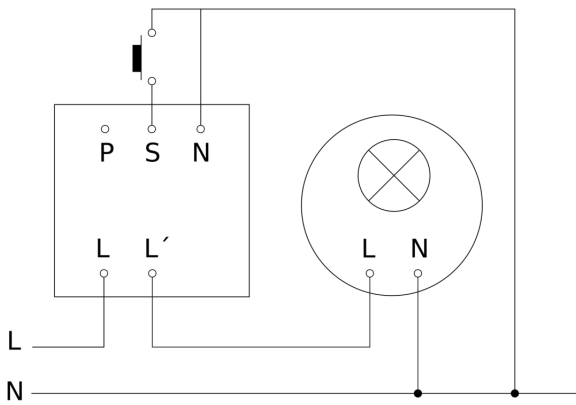


Possible mounting height: 2,50 m - 10,00 m  
Orange: presence  
Black: tangential

## Dimension Drawing



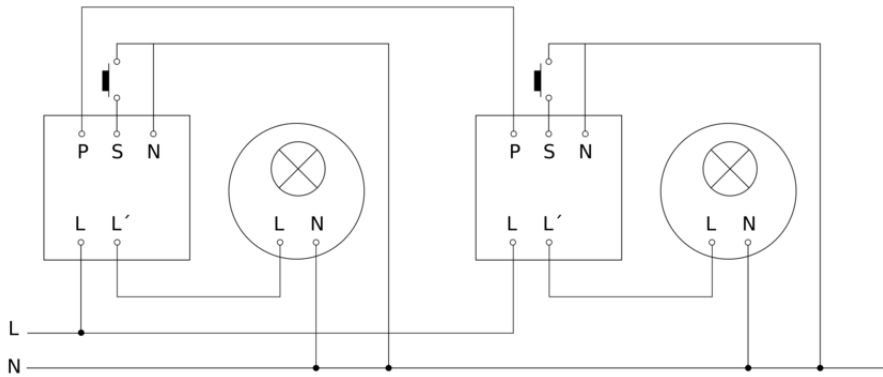
## Master circuit diagram



# IR Quattro HD 24m

COM1 - concealed white  
EAN 4007841 002794  
Article number 002794

## Master/master interconnection circuit diagram



## Master/slave interconnection circuit diagram

